



# FUJITSU ELECTRIC

## SPLIT TYPE AIR CONDITIONER (50Hz)

## DUCT type

# SERVICE MANUAL

| Models | Indoor unit | Outdoor unit |
|--------|-------------|--------------|
|        | RD-60CA     | ROD-60CA     |
|        | RD-60HA     | ROD-60HA     |

### CONTENTS

|                                       |    |
|---------------------------------------|----|
| SPECIFICATIONS .....                  | 1  |
| OUTLINE AND DIMENSIONS .....          | 2  |
| CIRCUIT DIAGRAM .....                 | 4  |
| INDOOR P.C. BOARD CIRCUIT DIAGRAM ... | 6  |
| OUTDOOR P.C. BOARD CIRCUIT DIAGRAM .  | 8  |
| ERROR CONTENTS .....                  | 9  |
| REFRIGERANT SYSTEM DIAGRAM.....       | 10 |
| DISASSEMBLY ILLUSTRATION .....        | 11 |
| PARTS LIST .....                      | 20 |



Большая библиотека технической документации

<https://splitsystema48.ru/instrukcii-po-ekspluatácii-kondicionerov.html>

каталоги, инструкции, сервисные мануалы, схемы.

# SPECIFICATIONS

|                  |      |             |             |
|------------------|------|-------------|-------------|
| INDOOR UNIT      |      | RD-60CA     | RD-60HA     |
| OUTDOOR UNIT     |      | ROD-60CA    | ROD-60HA    |
| COOLING CAPACITY | (kW) | 16.4 - 17.0 | 16.4 - 17.0 |
| HEATING CAPACITY | (kW) | -----       | 17.0 - 17.6 |

## ELECTRICAL SPECIFICATIONS

|                      |                            |             |             |
|----------------------|----------------------------|-------------|-------------|
| POWER SUPPLY         | (V)                        | 380 - 415   |             |
| FREQUENCY            | (Hz)                       | 50          |             |
| RUNNING CURRENT      | COOLING                    | 9.8 - 9.8   | 9.8 - 9.8   |
|                      | HEATING                    | -----       | 8.7 - 8.7   |
| INPUT                | COOLING                    | 5.80 - 5.90 | 5.90 - 6.00 |
|                      | HEATING                    | -----       | 5.00 - 5.15 |
| EER                  | COOLING                    | 2.83 - 2.88 | 2.78 - 2.83 |
|                      | HEATING                    | -----       | 3.40 - 3.42 |
| MOISTURE REMOVAL     | ( $\text{L/hr}$ )          | 6.5         |             |
| AIR CIRCULATION - Hi | ( $\text{m}^3/\text{hr}$ ) | 3,000       |             |

## COMPRESSOR

|      |                                                    |
|------|----------------------------------------------------|
| TYPE | Hermetic type, 2 poles, 3 - phase, Induction motor |
| CODE | ZR72KC-TFD                                         |

## FAN MOTOR

|              |                    |           |  |
|--------------|--------------------|-----------|--|
| POWER SUPPLY | (V)                | 220 - 240 |  |
| INDOOR UNIT  | TYPE               | MFA-60ETM |  |
|              | HI-SPEED (r.p.m.)  | 1,095     |  |
|              | MED-SPEED (r.p.m.) | 1,020     |  |
|              | LO-SPEED (r.p.m.)  | 945       |  |
| OUTDOOR UNIT | TYPE               | MFB-362FT |  |
|              | HI-SPEED (r.p.m.)  | 800       |  |

## DIMENSIONS

|              |                |                   |
|--------------|----------------|-------------------|
| INDOOR UNIT  | H x W x D (mm) | 400 x 1,250 x 800 |
| OUTDOOR UNIT | H x W x D (mm) | 1,355 x 940 x 370 |

## WEIGHTS

|              |                  |           |           |
|--------------|------------------|-----------|-----------|
| INDOOR UNIT  | GROSS / NET (kg) | 75 / 90   |           |
| OUTDOOR UNIT | GROSS / NET (kg) | 121 / 136 | 129 / 144 |

## ADDITIONAL REFRIGERANT CHARGE (R-22)

| FULL CHARGE AMOUNT | PIPE LENGTH | 7.5 m (25 ft)      | 10 m (33 ft)       | 20 m (66 ft)       | 30 m (99 ft)       | 40 m (132 ft)      | 50 m (164 ft)      | g / m (oz / ft)         |
|--------------------|-------------|--------------------|--------------------|--------------------|--------------------|--------------------|--------------------|-------------------------|
|                    | RD-60CA     |                    | 3,800 g (134.3 oz) | 3,900 g (137.8 oz) | 4,300 g (151.9 oz) | 4,700 g (166.1 oz) | 5,100 g (180.2 oz) | 5,500 g (194.3 oz)      |
| RD-60HA            |             | 4,800 g (169.6 oz) |                    |                    | 5,400 g (190.8 oz) | 6,000 g (212.0 oz) | 6,600 g (233.2 oz) | 60 g / m (0.64 oz / ft) |

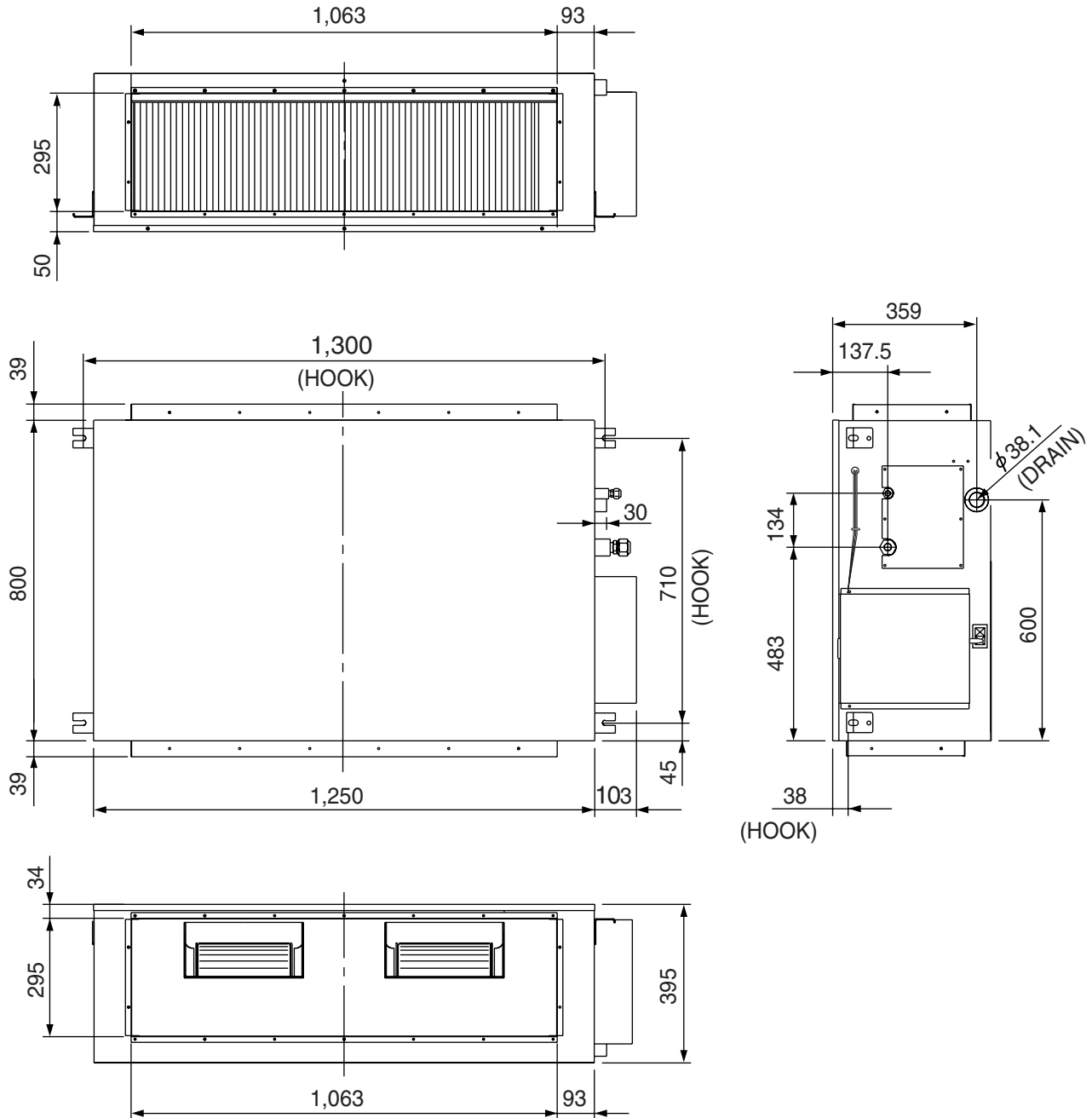
• The above list shows values at an external static pressure of 20mm Aq (196 pa).

# OUTLINE AND DIMENSIONS

## INDOOR UNIT

Models : RD-60CA  
RD-60HA

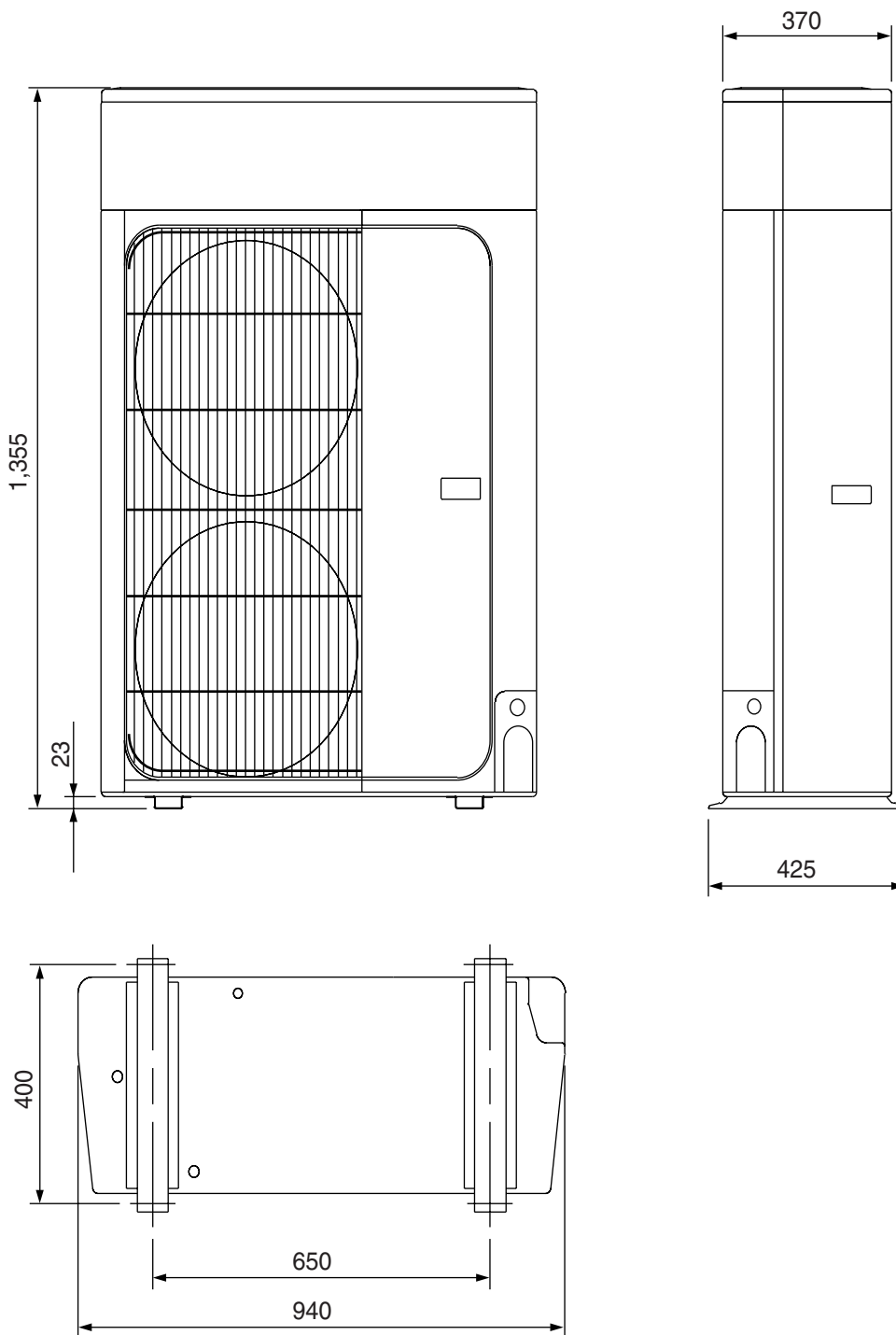
(Unit : mm)



# OUTDOOR UNIT

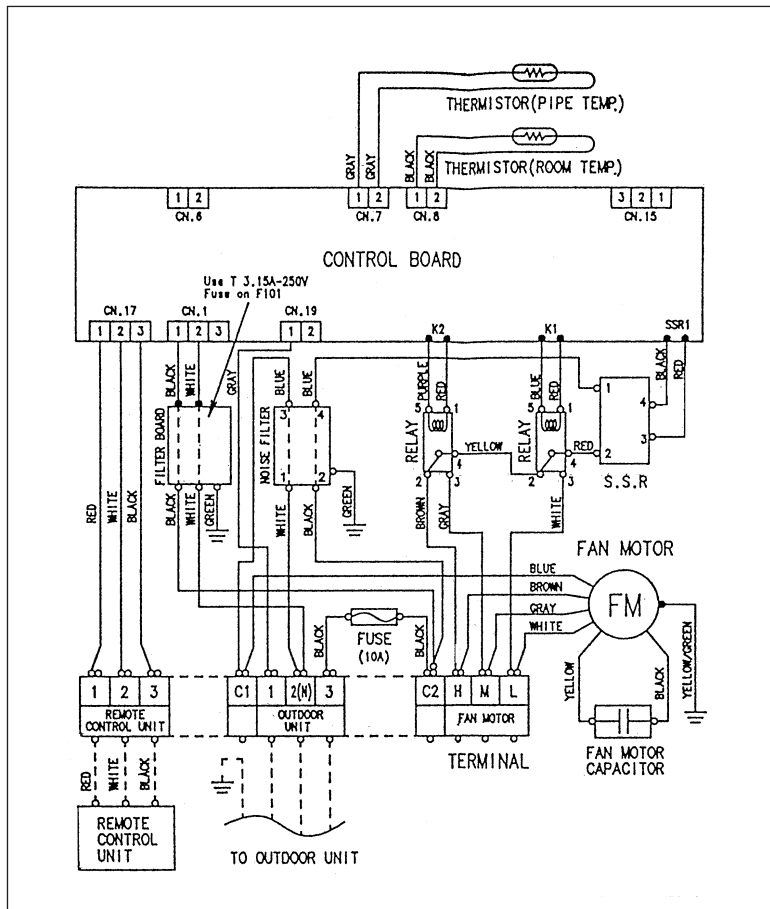
Models : ROD-60CA  
ROD-60HA

(Unit : mm)



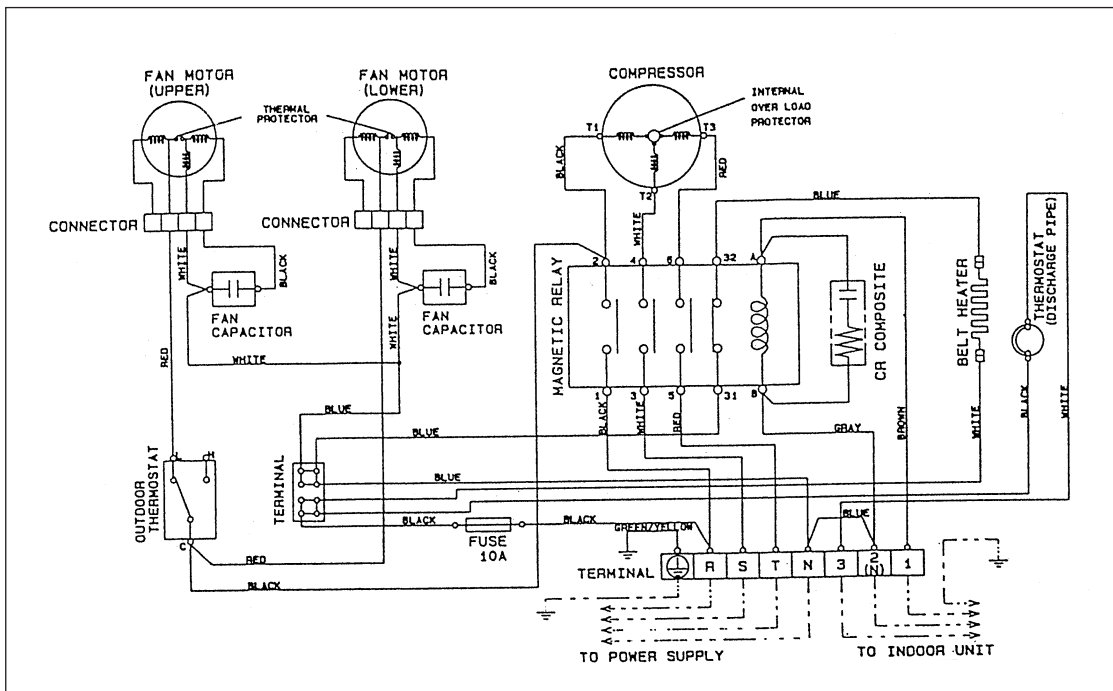
# CIRCUIT DIAGRAM

Model : RD-60CA



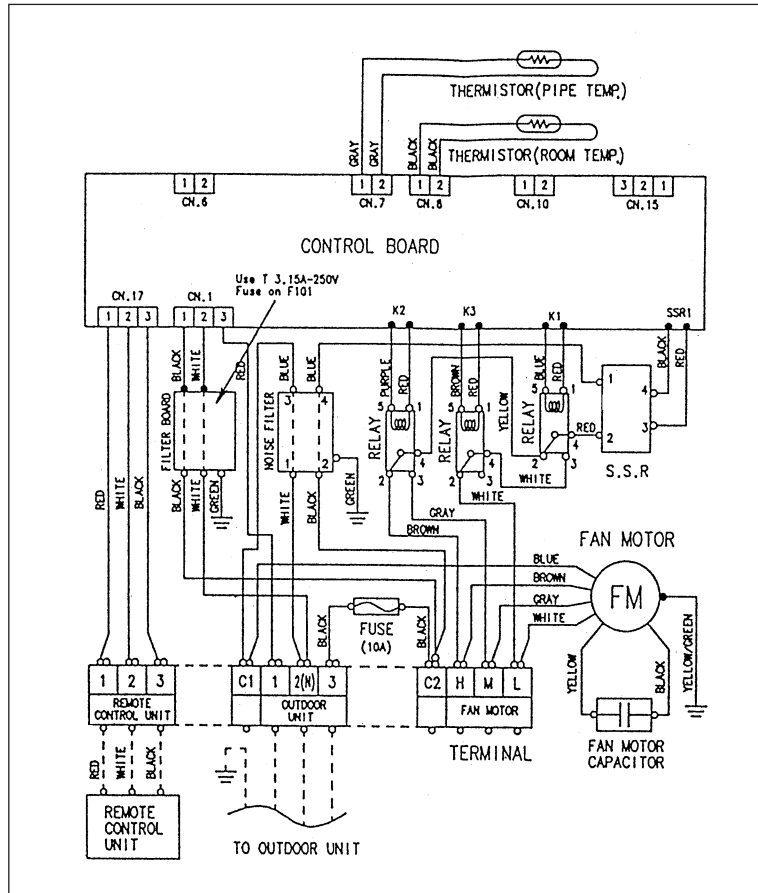
|                     |            |
|---------------------|------------|
| FAN MOTOR CAPACITOR | 15 $\mu$ F |
|---------------------|------------|

Model : ROD-60CA



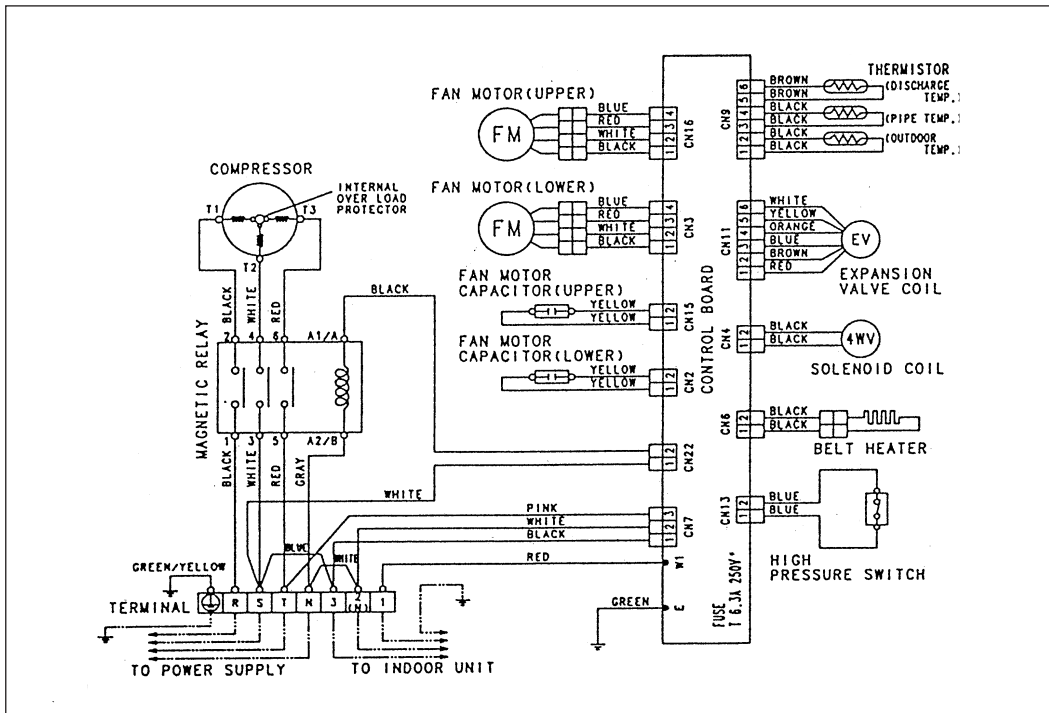
|                     |           |
|---------------------|-----------|
| FAN MOTOR CAPACITOR | 4 $\mu$ F |
|---------------------|-----------|

**Model : RD-60HA**

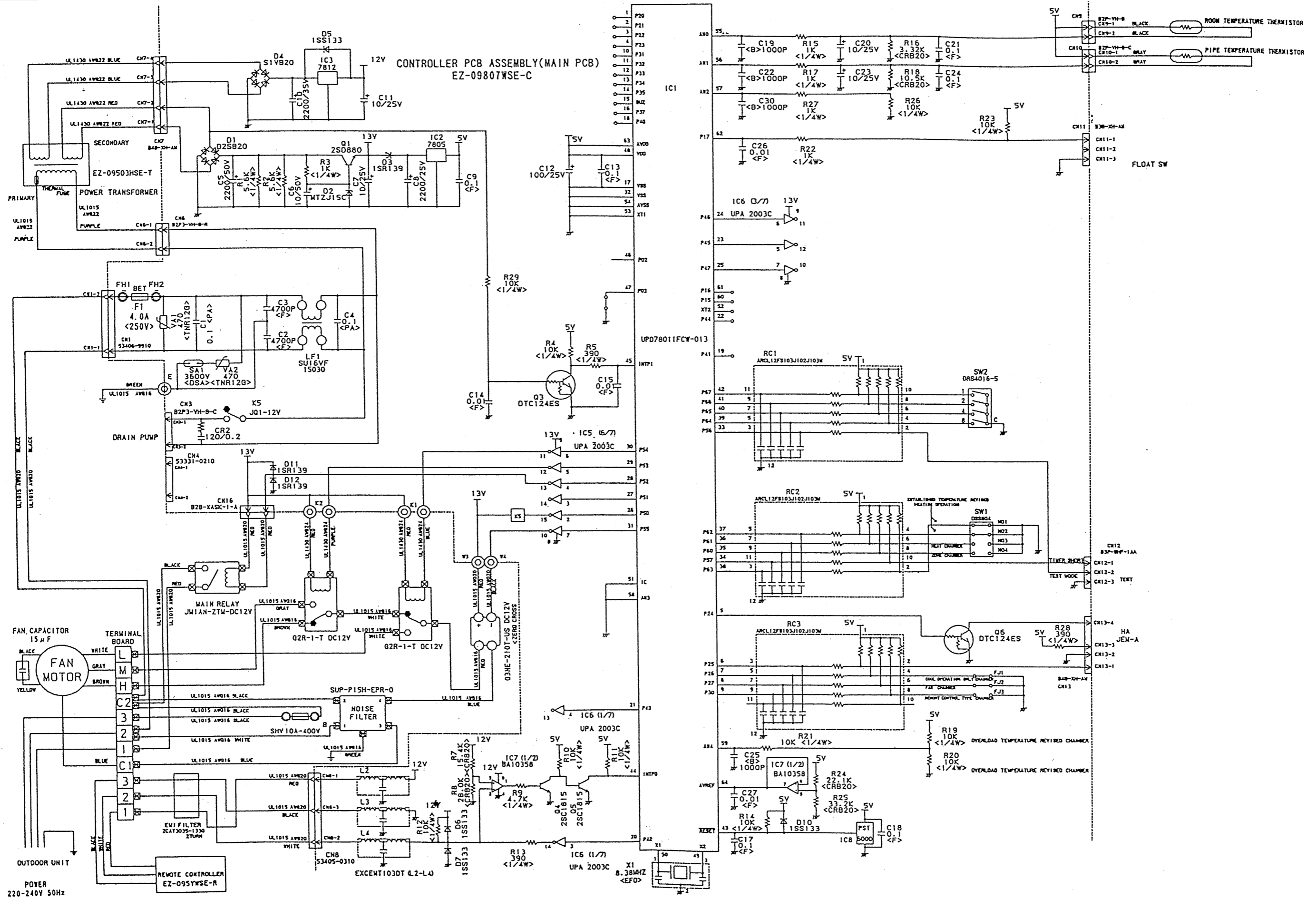


**FAN MOTOR CAPACITOR 15  $\mu$ F**

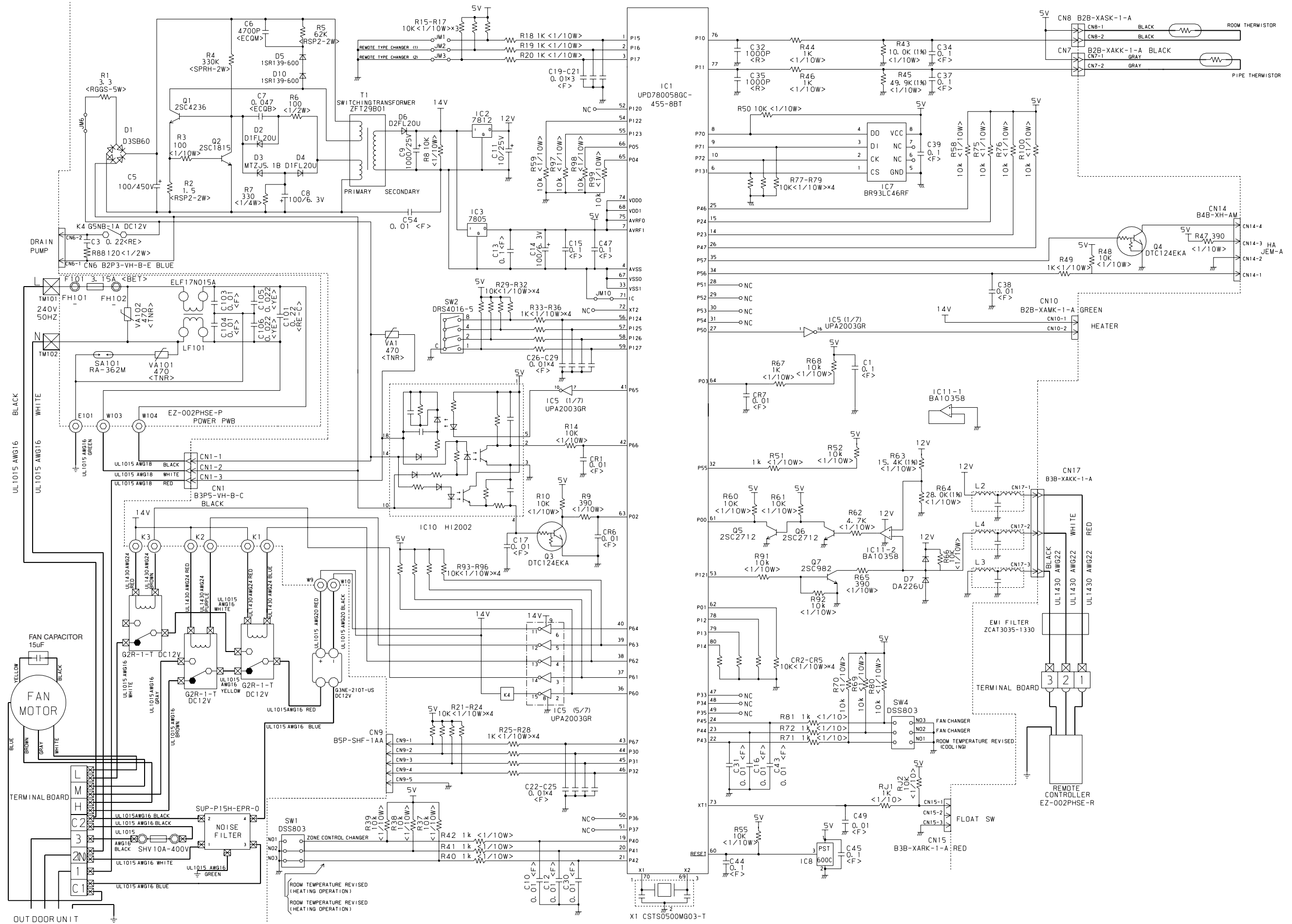
**Model : ROD-60HA**



# INDOOR PRINTED CIRCUIT BOARD CIRCUIT DIAGRAM



CONTROLLER PCB ASSEMBLY ( MAIN PCB )  
EZ-00213HSE-C

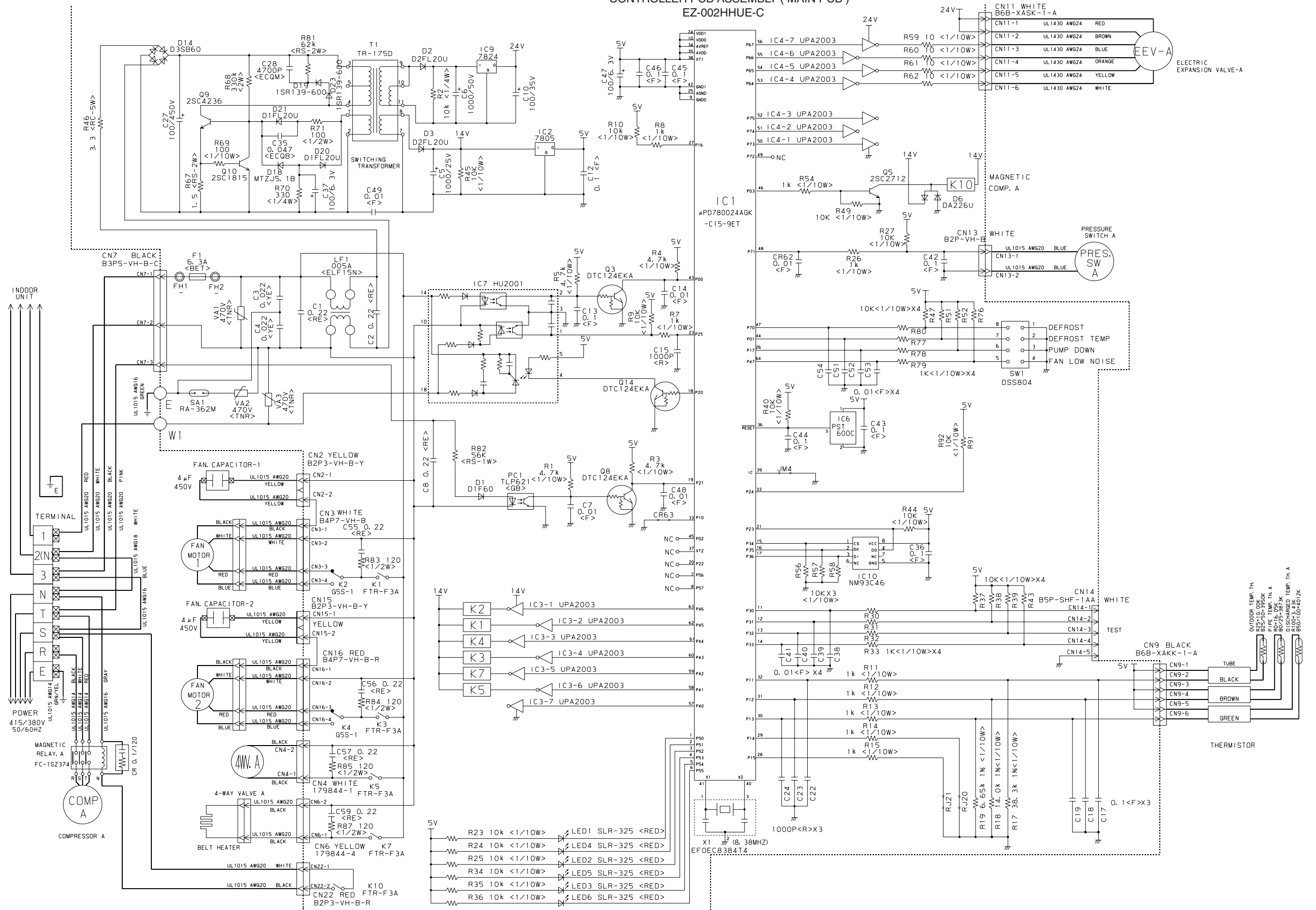




# OUTDOOR PRINTED CIRCUIT BOARD CIRCUIT DIAGRAM

Model : ROD-60CA

## CONTROLLER PCB ASSEMBLY ( MAIN PCB ) EZ-002HHUE-C



# ERROR CONTENTS

## 1. REMOTE CONTROLLER

- When EE : EE blinks at the current time display, there is an error inside the air conditioner. If the SET TIME button (▼) and TEMP./DAY button (▼) are pressed simultaneously for more than three seconds, the self diagnosis check will start and the error contents will be displayed at the current time display. When the operation lamp lights, press the START/STOP button and after operation lamp goes off, perform the same operation. Process the error contents by referring to (Table 1).

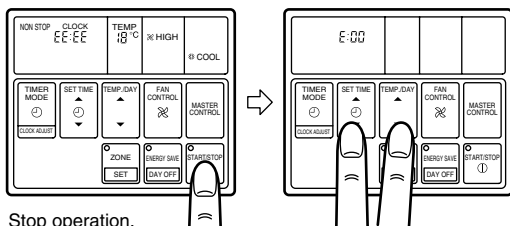


Table 1

| Error code | Error contents                                           |
|------------|----------------------------------------------------------|
| E:00       | Communication error (indoor unit ↔ remote controller)    |
| E:01       | Communication error (indoor unit ↔ outdoor unit)         |
| E:02       | Room temperature sensor open                             |
| E:03       | Room temperature sensor shortcircuited                   |
| E:04       | Indoor heat exchanger temperature sensor open            |
| E:05       | Indoor heat exchanger temperature sensor shortcircuited  |
| E:06       | Outdoor heat exchanger temperature sensor open           |
| E:07       | Outdoor heat exchanger temperature sensor shortcircuited |
| E:08       | Power source connection error                            |
| E:09       | Float switch operated                                    |
| E:0A       | Outdoor temperature sensor open                          |
| E:0B       | Outdoor temperature sensor shortcircuited                |
| E:0C       | Discharge pipe temperature sensor open                   |
| E:0D       | Discharge pipe temperature sensor shortcircuited         |
| E:0E       | Outdoor high pressure abnormal                           |
| E:0F       | Discharge pipe temperature abnormal                      |
| E:11       | Model abnormal                                           |
| E:12       | Indoor fan abnormal                                      |
| E:13       | Outdoor signal abnormal                                  |
| E:14       | Outdoor EEPROM abnormal                                  |

- To stop test running, press the START/STOP button.
- For the operation method, refer to the operating manual and perform operation check.
- Check that there are no abnormal sounds or vibration sounds during test running.

## 2. OUTDOOR UNIT

When the outdoor temperature drops, the outdoor unit's fans may switch to low speed, or one of the fans may stop intermittently.

### ERROR : Heat & Cool model (Reverse cycle) only

The LED lamps operate as follows (Table 2) according to the error contents.

The LED lamps are on the outdoor unit board.

Table 2

| Error contents                              | LED1 | LED2 | LED3 | LED4 | LED5 | LED6 |
|---------------------------------------------|------|------|------|------|------|------|
| Signal abnormal                             | —    | —    | X    | ○    | X    | X    |
| Indoor unit abnormal                        | —    | —    | X    | X    | ○    | X    |
| Discharge pipe temperature abnormal         | —    | —    | X    | X    | X    | ○    |
| Outdoor heat exchanger temperature abnormal | —    | —    | X    | X    | ○    | ○    |
| Outdoor temperature abnormal                | —    | —    | X    | ○    | X    | ○    |
| Power source connection error               | —    | —    | ○    | X    | X    | X    |
| EEPROM abnormal                             | —    | —    | ○    | ○    | ○    | ○    |
|                                             | ◎    | ◎    | ◎    | ◎    | ◎    | ◎    |
| Outdoor high pressure abnormal              | ○    | —    | —    | —    | —    | —    |
| Discharge pipe temperature abnormal         | —    | ○    | —    | —    | —    | —    |

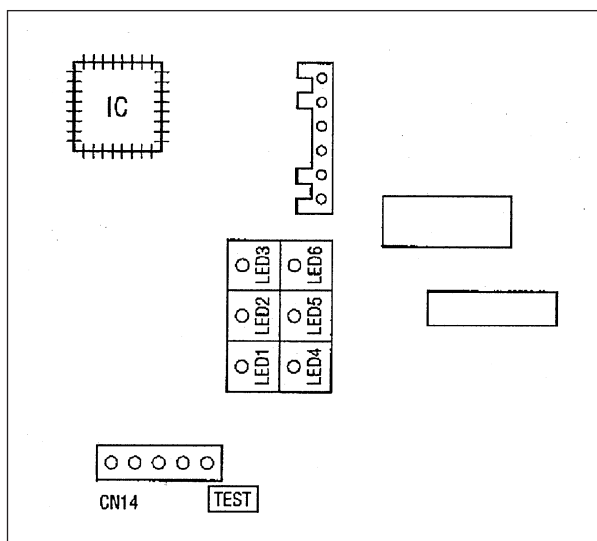
○ : 0.5s ON / 0.5s OFF (flash) X : OFF

◎ : 0.1s ON / 0.1s OFF (flash) — : Indefinite

When the fault is cleared, the LED lamp goes off.

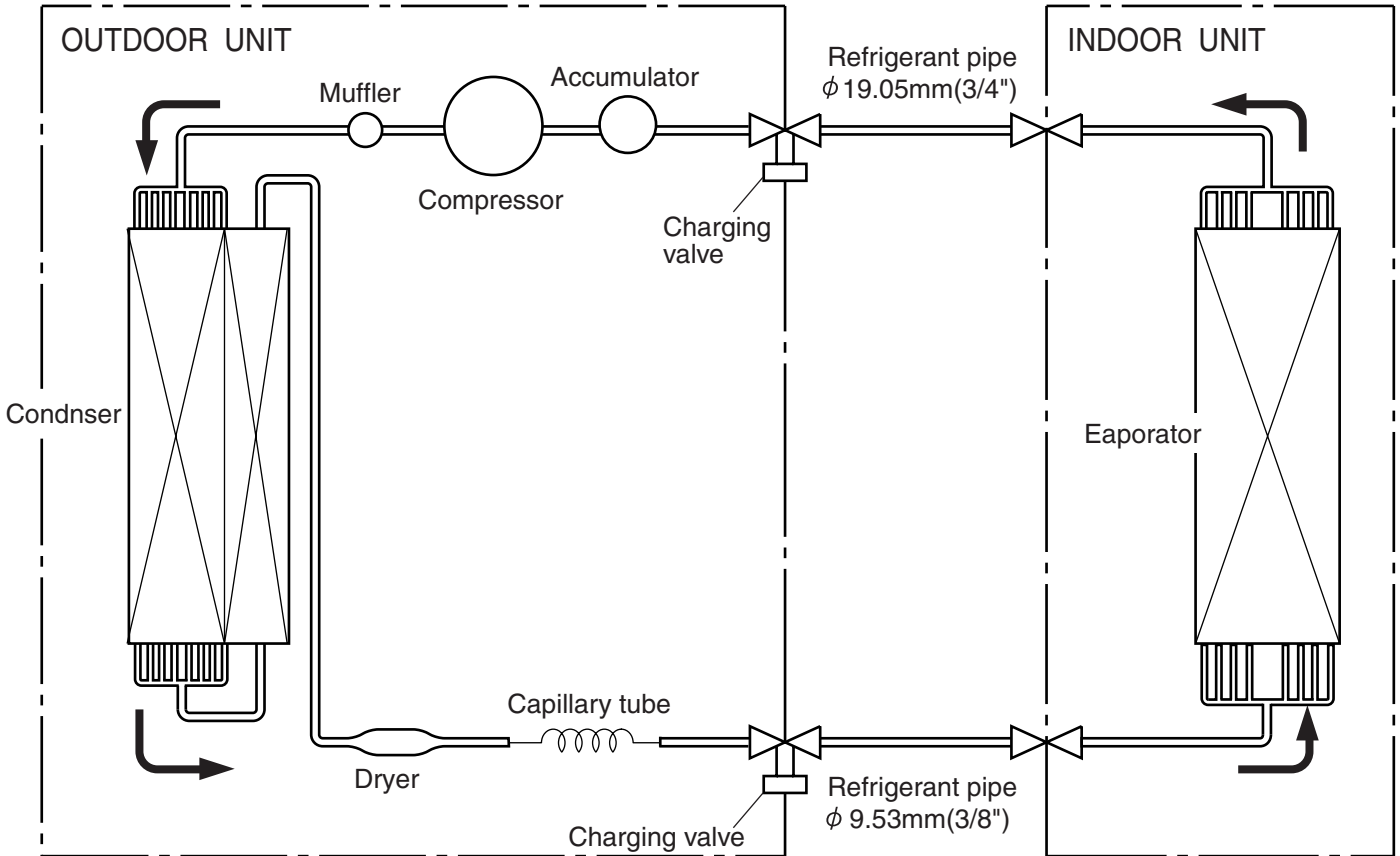
However, for discharge pipe temperature abnormal and high pressure abnormal, the LED lamp lights continuously for 24 hours, as long as the power is not turned off.

### ERROR LED DISPLAY LAYOUT

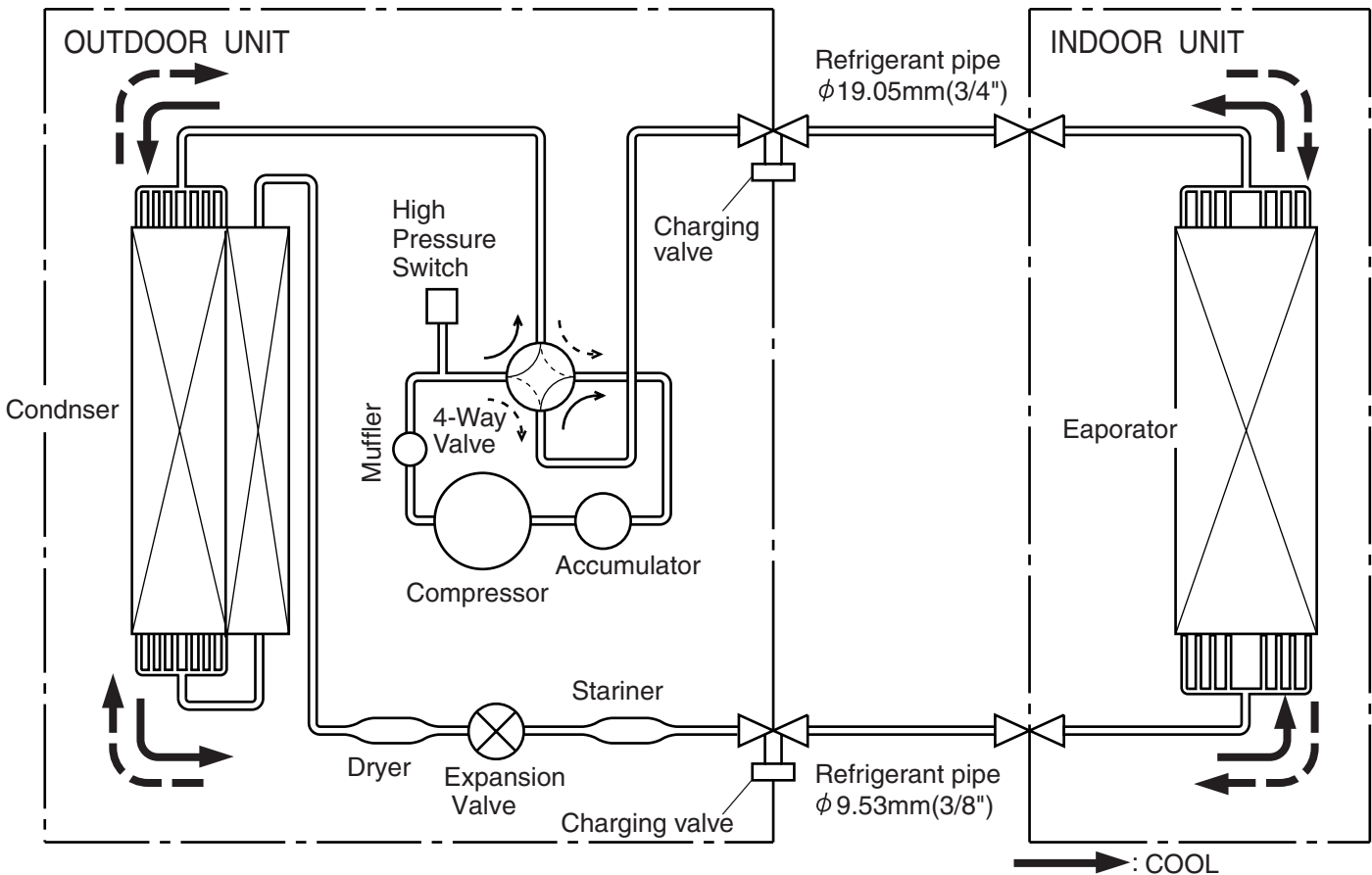


# REFRIGERANT SYSTEM DIAGRAM

Model : RD-60CA / ROD-60CA

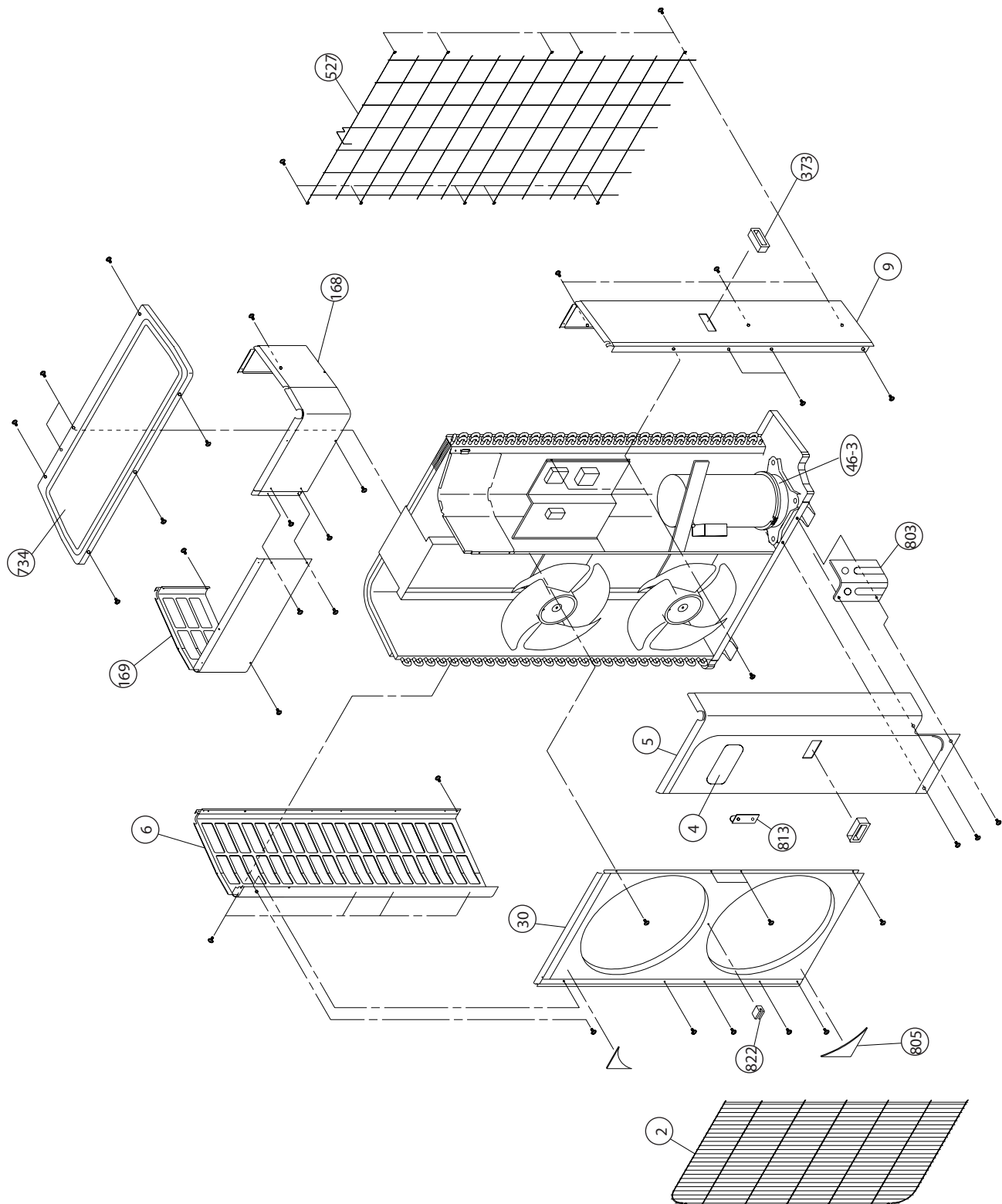


Model : RD-60HA / ROD-60HA

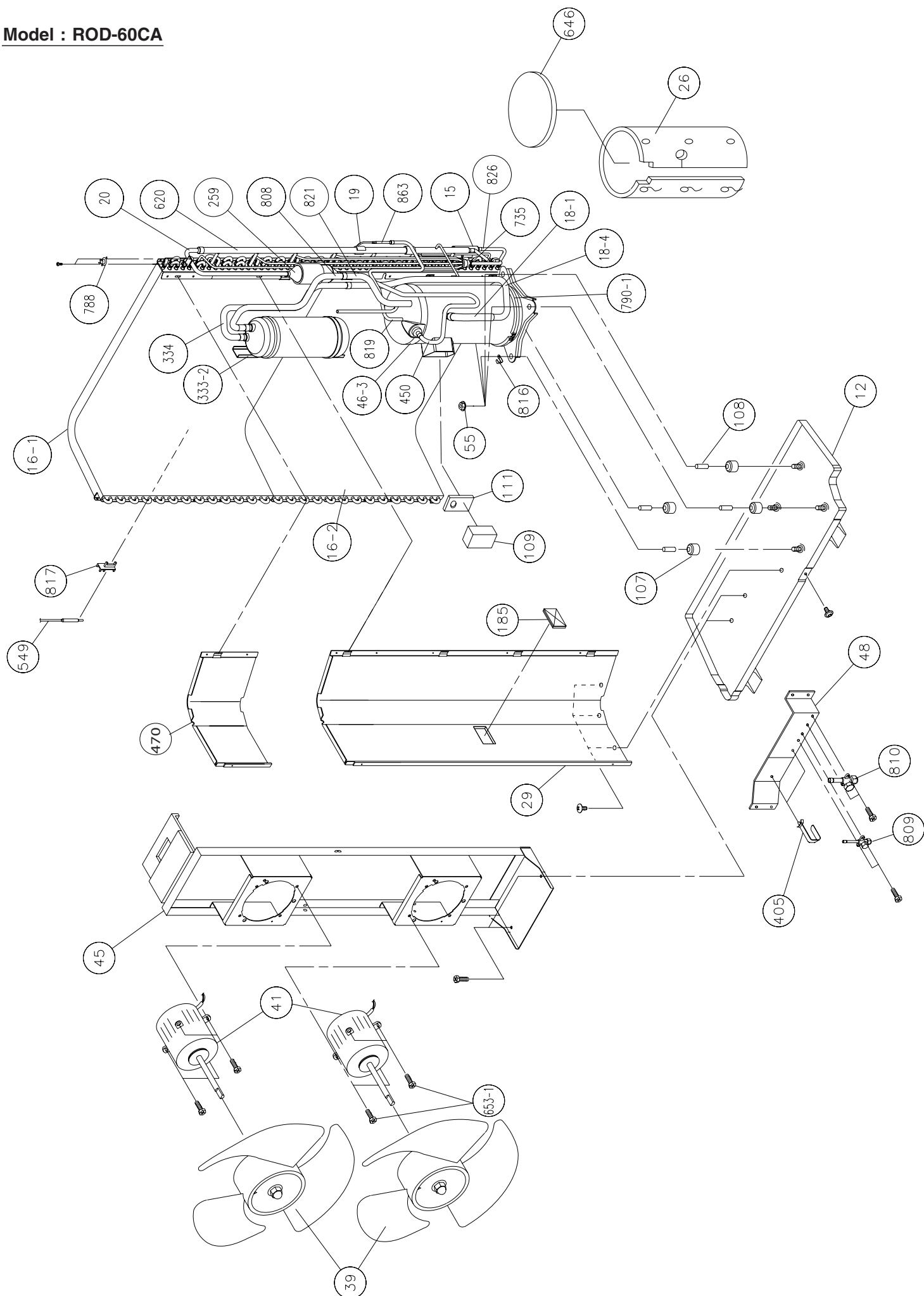


# DISASSEMBLY ILLUSTRATION

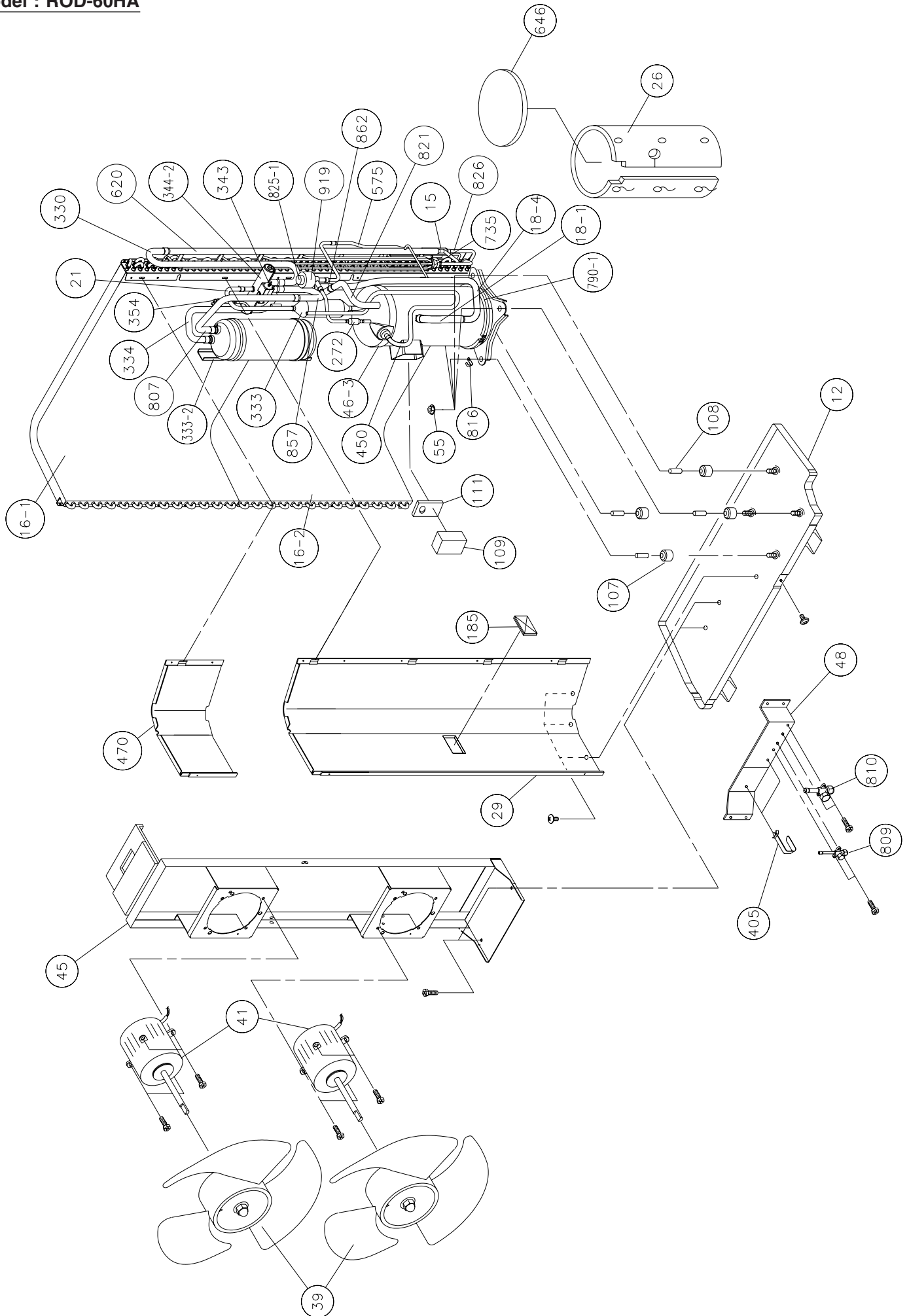
Models : ROD-60CA  
ROD-60HA

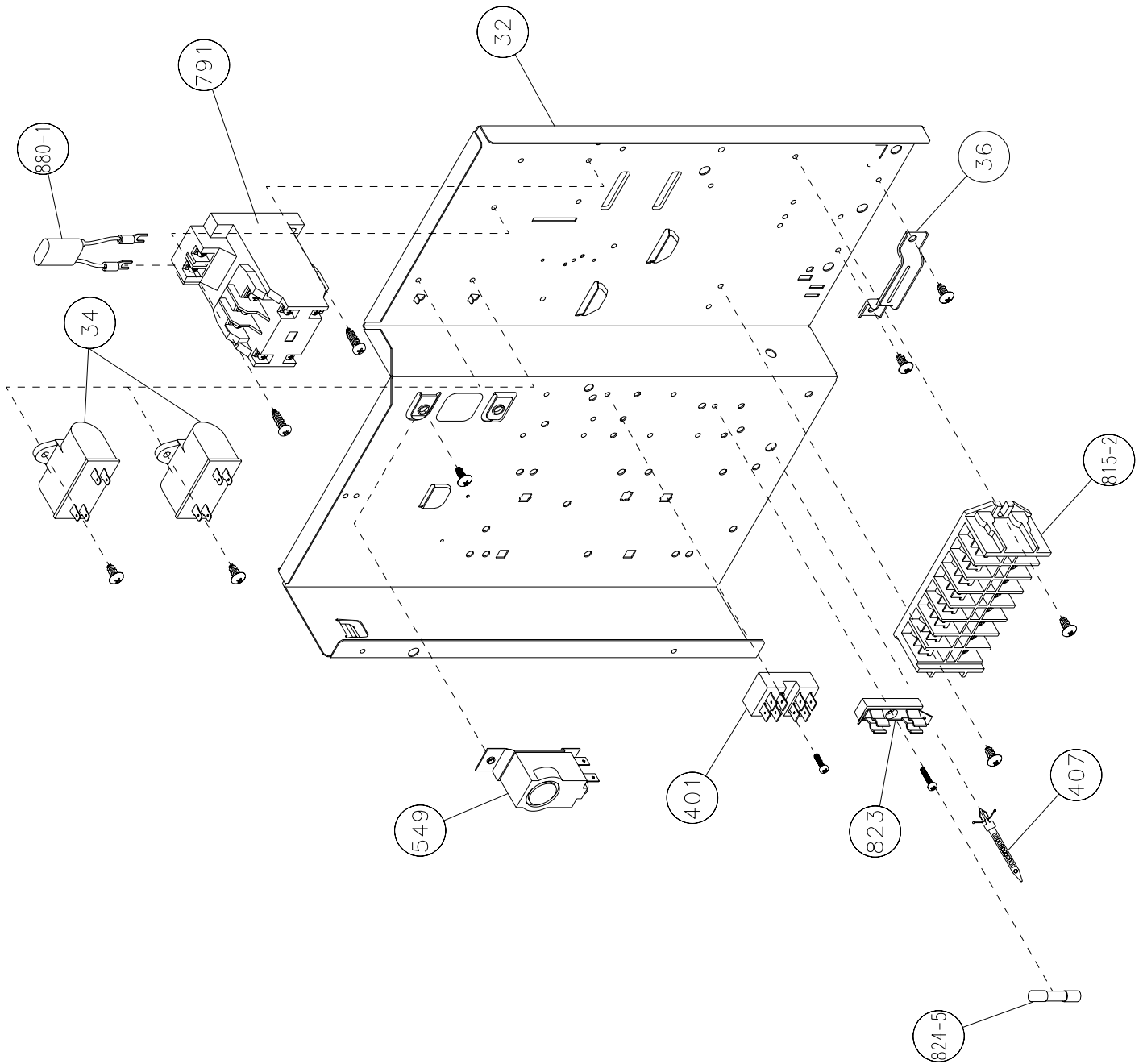


**Model : ROD-60CA**

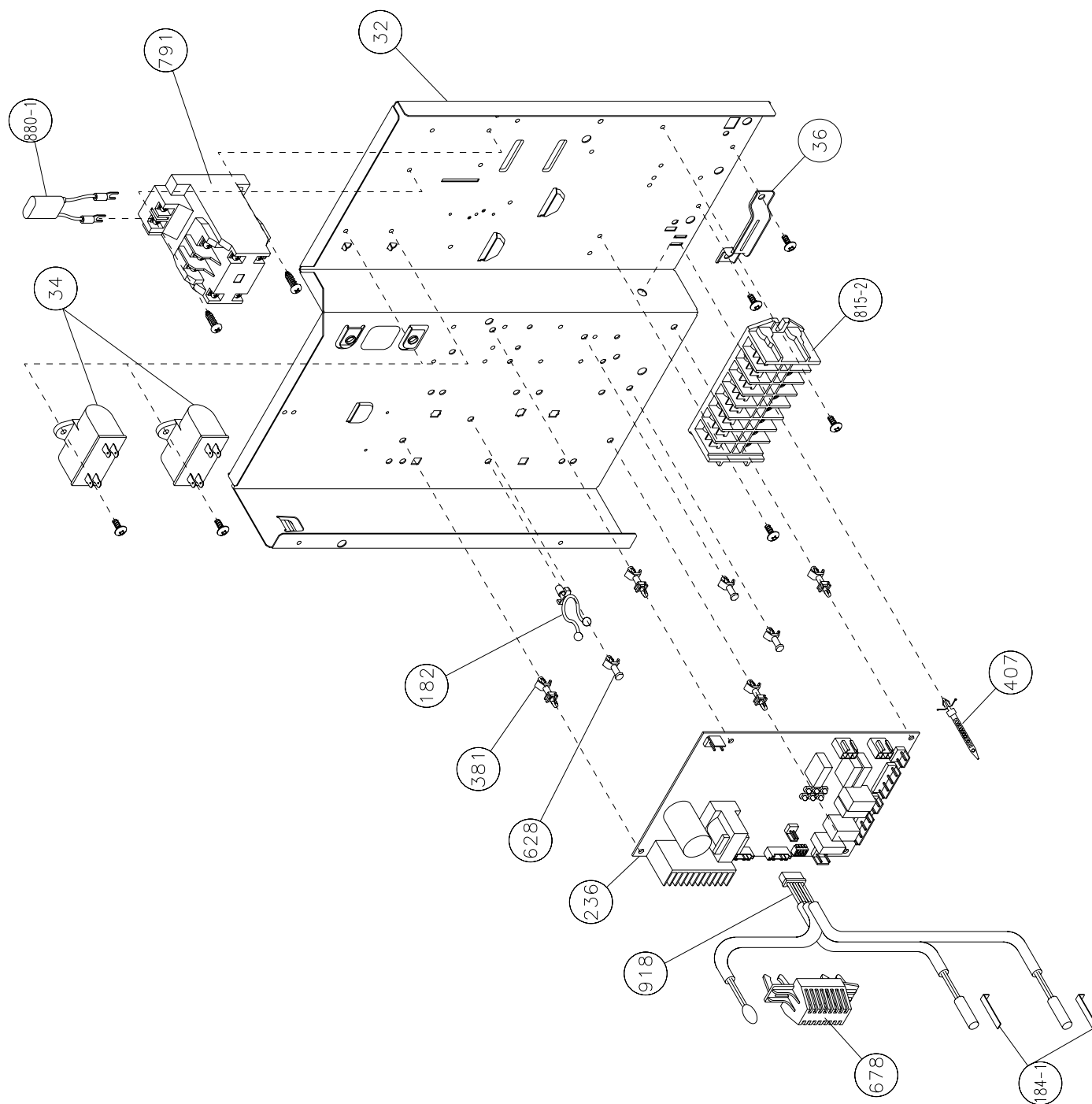


Model : ROD-60HA



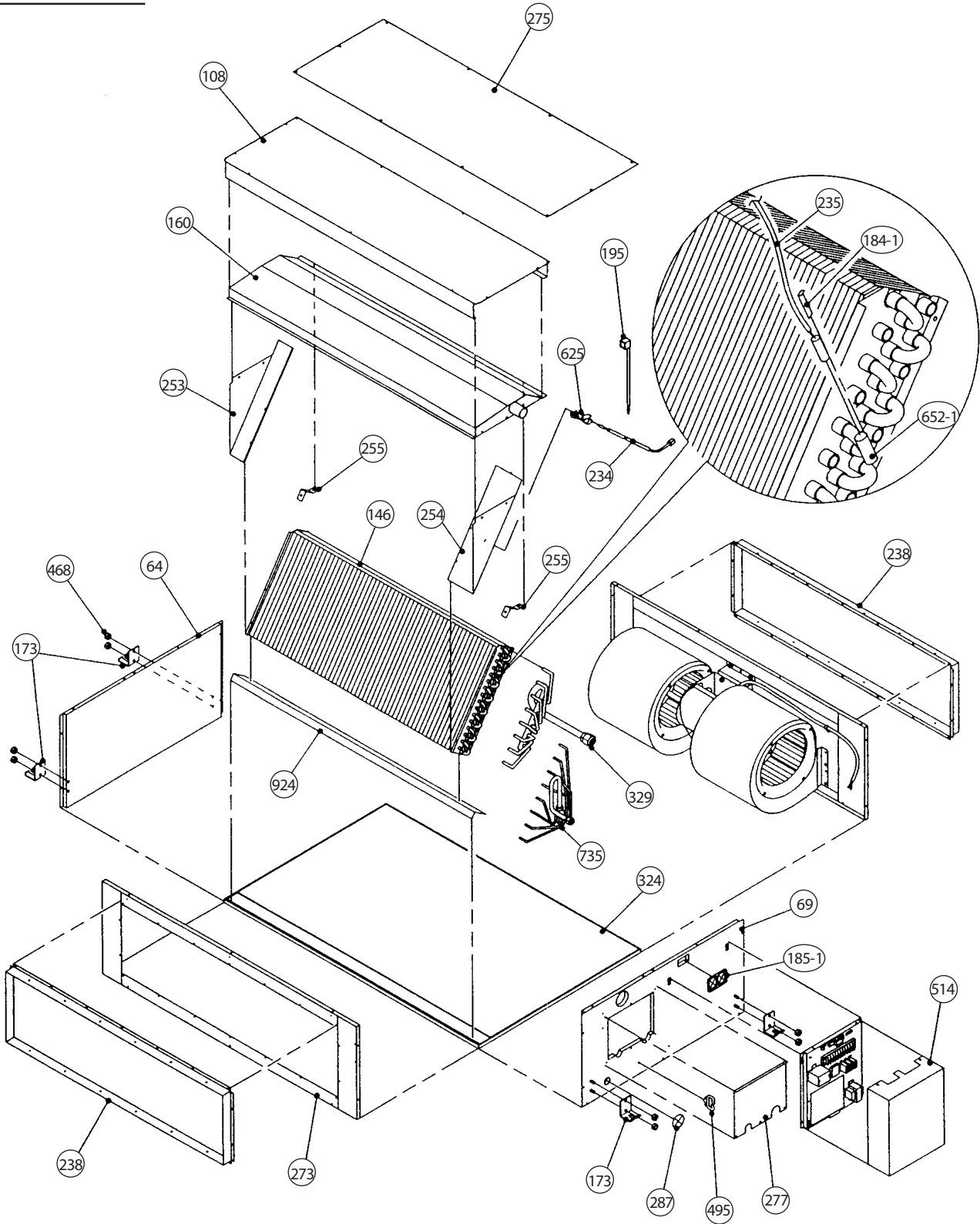


**Model : ROD-60HA**

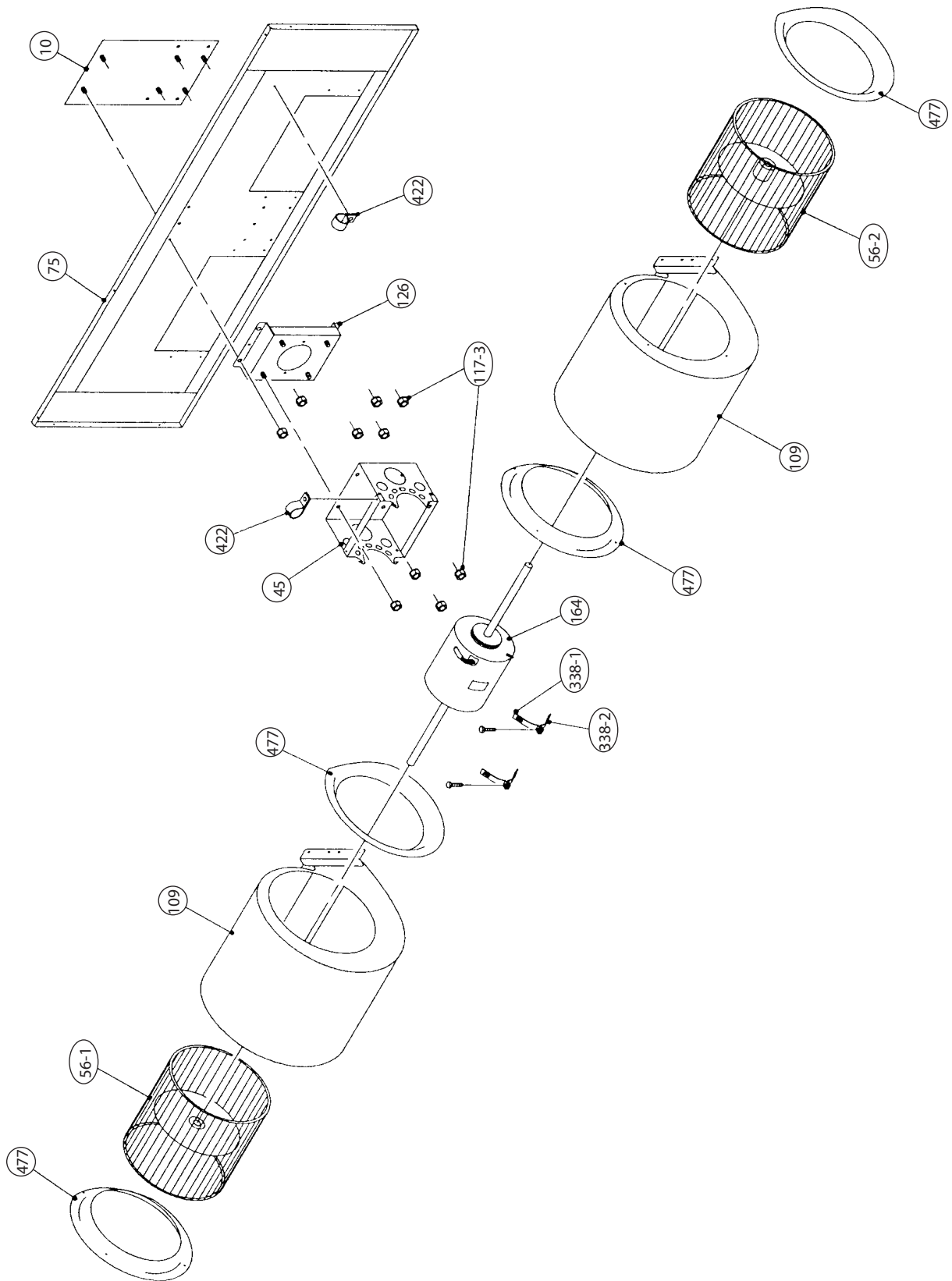


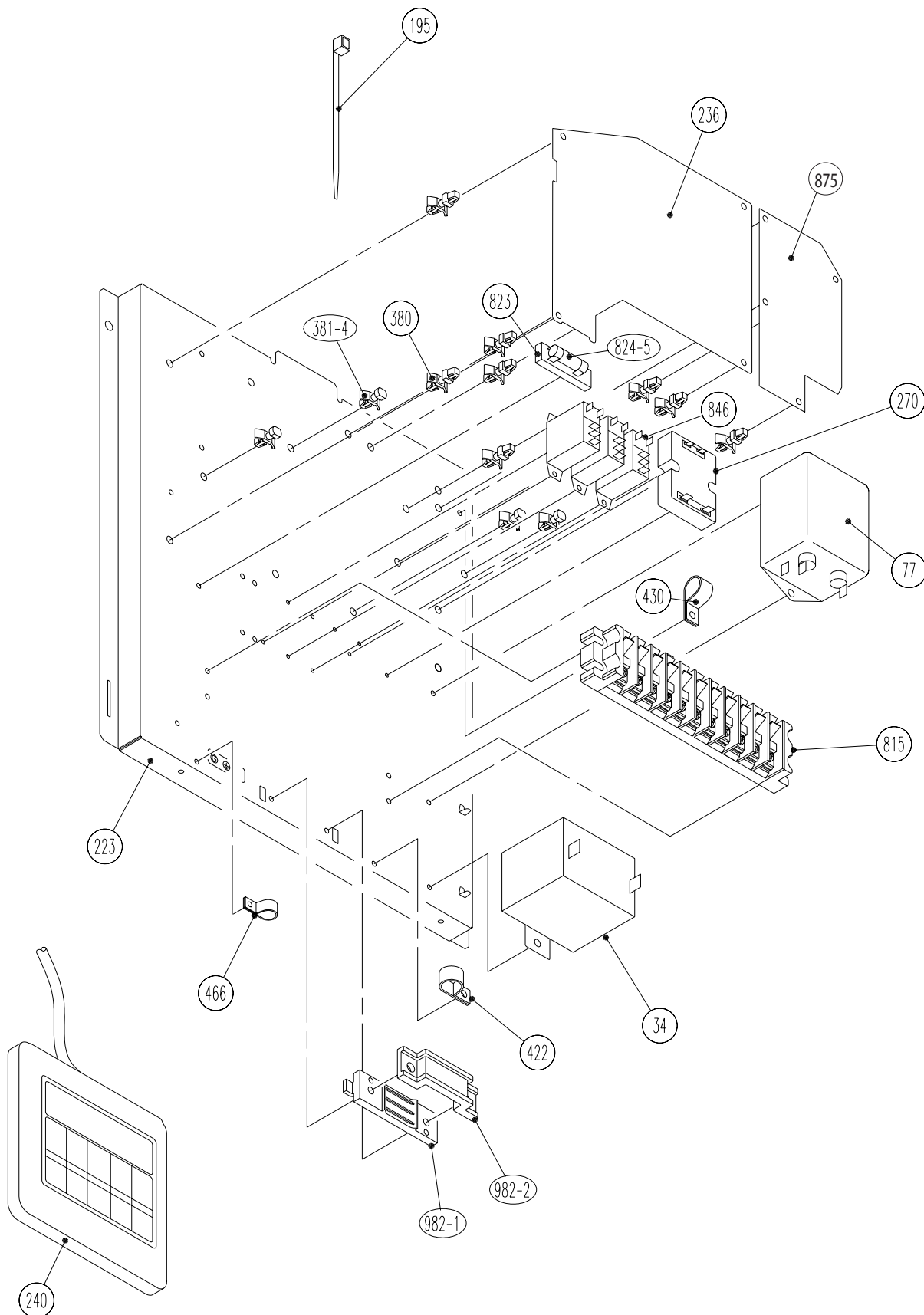


Models : RD-60CA  
RD-60HA

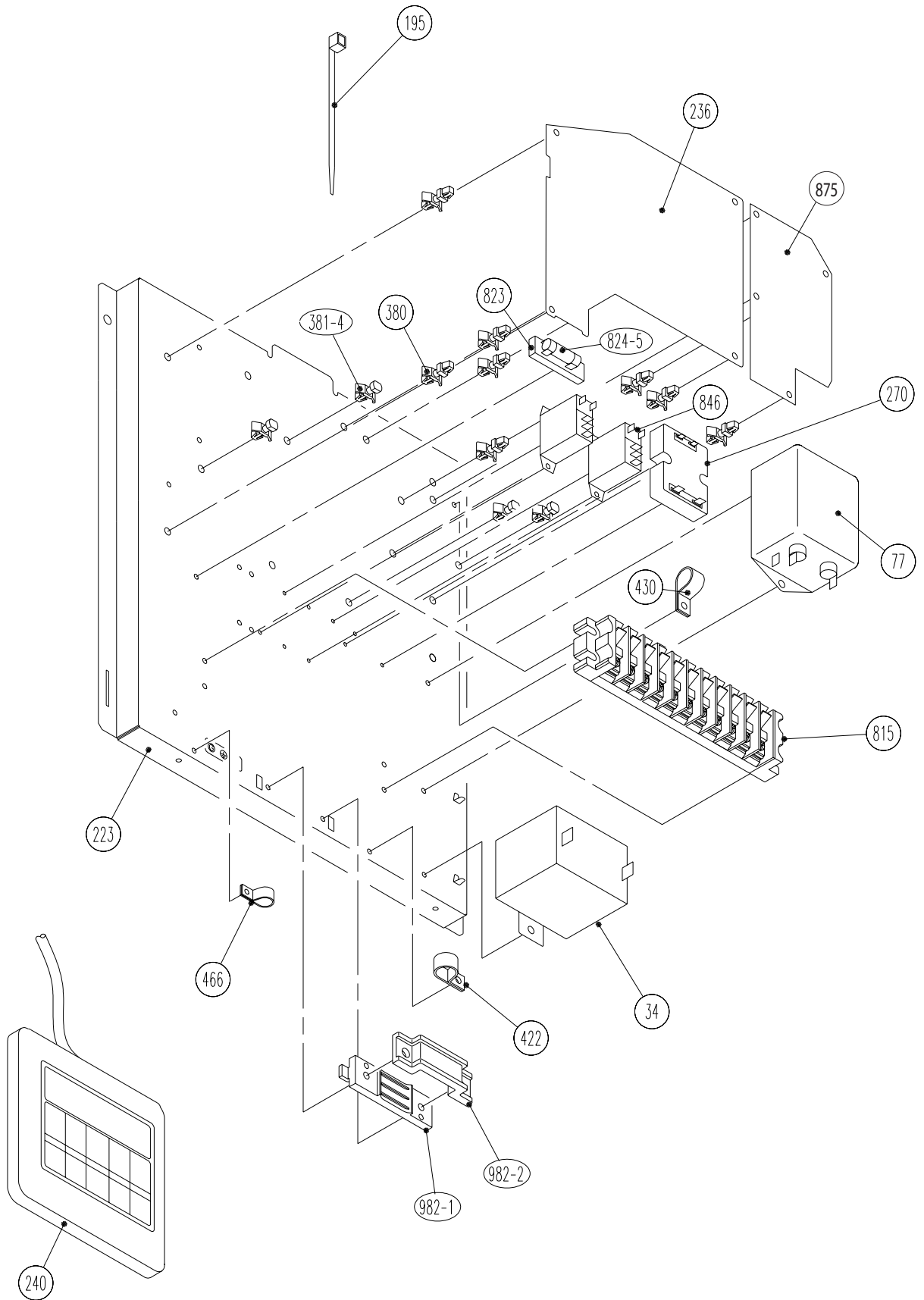


Models : RD-60CA  
RD-60HA





**Model : RD-60HA**



## PARTS LIST

When you order parts, please make a photocopy of this page and fill the number of the parts in the "Order" column.

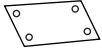









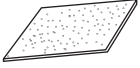
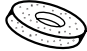
## INDOOR UNIT

| Ref. No. | Description                 | Part No.     |              | Ord. Q'ty | Ref. No. | Description            | Part No.     |              | Ord. Q'ty |
|----------|-----------------------------|--------------|--------------|-----------|----------|------------------------|--------------|--------------|-----------|
|          |                             | RD-60CA      | RD-60HA      |           |          |                        | RD-60CA      | RD-60HA      |           |
| 10       | Reinforcement (Front Panel) | 9361424005   | 9361424005   |           | 270      | Relay, Solid           | 9702099015   | 9702099015   |           |
| 34       | Capacitor (Fan Motor)       | 9700468042   | 9700468042   |           | 273      | Rear Panel Assy        | 9361350007   | 9361350007   |           |
| 45       | Motor Mount Assy            | 9361369009   | 9361369009   |           | 275      | Under Panel            | 9361362000   | 9361362000   |           |
| 56-1     | Sirocco Fan-R               | 9361635005   | 9361635005   |           | 277      | Maintenance Panel      | 9361364004   | 9361364004   |           |
| 56-2     | Sirocco Fan-L               | 9361636002   | 9361636002   |           | 287      | Cap (Power)            | 9352173011   | 9352173011   |           |
| 64       | Left Panel Assy             | 9361358003   | 9361358003   |           | 324      | Top Plate              | 9361349001   | 9361349001   |           |
| 69       | Right Panel Assy            | 9361356009   | 9361356009   |           | 329      | Coupling Pipe Assy     | 9361445000   | 9361445000   |           |
| 75       | Front Panel                 | 9361353008   | 9361353008   |           | 338-1    | Motor Fixture          | 9359702009   | 9359702009   |           |
| 77       | EMI Filter                  | 9702126018   | 9702126018   |           | 338-2    | Motor Fixture-B        | 9359703006   | 9359703006   |           |
| 108      | Base                        | 9361340008   | 9361340008   |           | 380      | Locking Spacer KGLS-4S | 313209391506 | 313209391506 |           |
| 109      | Casing Assy                 | 9361373006   | 9361373006   |           | 381-4    | Locking Spacer B       | 313005446558 | 313005446558 |           |
| 117-3    | Hex. Nut w/Spring Washer    | 301721180114 | 301721180114 |           | 422      | Clamp NK-9N            | 313209399700 | 313209399700 |           |
| 126      | Motor Base Assy             | 9361354005   | 9361354005   |           | 430      | Clamp NK-7N            | 313095365602 | 313095365602 |           |
| 146      | Evaporator Assy             | 9361436008   | 9361436008   |           | 466      | Clamp NK-4N            | 313714328805 | 313714328805 |           |
| 160      | Drain Pan Assy              | 9361341029   | 9361341029   |           | 468      | Nut-A M8               | 9356998009   | 9356998009   |           |
| 164      | Fan Motor Assy              | 9361439009   | 9361439009   |           | 477      | Bellmouth              | 9361378001   | 9361378001   |           |
| 173      | Hook Metal                  | 9361367005   | 9361367005   |           | 495      | Clamp No. 2U46         | 9352715006   | 9352715006   |           |
| 184-1    | Thermostat Spring-A         | 313728262708 | 313728262708 |           | 514      | Control Box Cover      | 9361366008   | 9361366008   |           |
| 185-1    | Rubber Bushing              | 9357376004   | 9357376004   |           | 625      | Cord Bushing           | 9359240006   | 9359240006   |           |
| 195      | Clamp SKB-100               | 313361275805 | 313361275805 |           | 652-1    | Therm. Holder Pipe     | 313806262805 | 313806262805 |           |
| 223      | Control Box Metal           | 9361365001   | 9361365001   |           | 735      | Distributor Assy       | 9361426009   | 9361426009   |           |
| 234      | Thermistor (Room)           | 9703299070   | 9703299070   |           | 815      | Terminal 11P           | 9703403033   | 9703403033   |           |
| 235      | Thermistor (Pipe)           | 9703297021   | 9703297021   |           | 823      | Fuse Holder            | 0500487011   | 0500487011   |           |
| 236      | Controller PCB Assy         | 9704557315   | 9704557124   |           | 824-5    | Fuse                   | 0600315023   | 0600315023   |           |
| 238      | Rectangular Flange          | 9361351004   | 9361351004   |           | 846      | Relay                  | 9702100018   | 9702100018   |           |
| 240      | Remote Control Unit         | 9703173066   | 9371438030   |           | 875      | Power PWB Assy         | 9704561053   | 9704561046   |           |
| 253      | HE Support-Right            | 9361344006   | 9361344006   |           | 924      | Seal Plate             | 9361347007   | 9361347007   |           |
| 254      | HE Support-Left             | 9361345003   | 9361345003   |           | 982-1    | Cord Clamp-A           | 9359820017   | 9359820017   |           |
| 255      | HE Support-Sub              | 9361346000   | 9361346000   |           | 982-2    | Cord Clamp-B           | 9359821014   | 9359821014   |           |




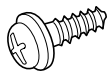
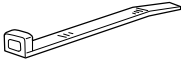


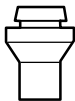
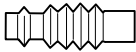

OUTDOOR UNIT

| Ref. No. | Description                  | Part No.     |              | Ord. Q'ty | Ref. No. | Description                 | Part No.     |              | Ord. Q'ty |
|----------|------------------------------|--------------|--------------|-----------|----------|-----------------------------|--------------|--------------|-----------|
|          |                              | ROD-60CA     | ROD-60HA     |           |          |                             | ROD-60CA     | ROD-60HA     |           |
| 2        | Fan Cover                    | 9352159015   | 9352159015   |           | 354      | Pressure Switch             | ----         | 9704045003   |           |
| 4        | Emblem-Rear                  | 9361328006   | 9361328006   |           | 373      | Grip                        | 9352157004   | 9352157004   |           |
| 5        | Cabinet-A, Painted           | 9352146015   | 9352146015   |           | 381      | Locking Spacer              | ----         | 313209391506 |           |
| 6        | Cabinet-C, Painted           | 9352149016   | 9352149016   |           | 401      | Terminal 2P                 | 9701971015   | ----         |           |
| 9        | Cabinet-B, Painted           | 9352147012   | 9352147012   |           | 405      | Clamp No. 1763              | 313816345304 | 313816345304 |           |
| 12       | Base Assy, Painted           | 9352136016   | 9352136016   |           | 407      | Clamp (Cable) No. 1259      | 313739340109 | 313739340109 |           |
| 15       | Dryer                        | 9368111014   | 9368111014   |           | 450      | Discharge Pipe A            | 9370951080   | 9368338008   |           |
| 16-1     | Condenser-A Assy             | 9369546006   | 9361555006   |           | 470      | Separate Wall-B Assy        | 9361310001   | 9361310001   |           |
| 16-2     | Condenser-B Assy             | 9369547003   | 9361556003   |           | 527      | Protection Net              | 9361730007   | 9361730007   |           |
| 18-1     | Suction Pipe-A               | 9364513003   | 9364513003   |           | 549      | Thermostat Outdoor          | 9352426001   | ----         |           |
| 18-4     | Suction Pipe                 | 9364054001   | 9364054001   |           | 575      | Condensing Pipe C           | ----         | 9363460001   |           |
| 19       | Capillary Tube               | 9370740035   | ----         |           | 620      | Inlet Pipe (Condenser) Assy | 9361558007   | 9361558007   |           |
| 20       | Discharge Pipe Assy          | 9370950045   | ----         |           | 628      | Locking Spacer-B            | ----         | 313005446558 |           |
| 21       | Discharge Pipe-B Assy        | ----         | 9368331009   |           | 646      | Compressor Cover-B          | 9370774047   | 9370774047   |           |
| 26       | Compressor Cover-A           | 9370774030   | 9370774030   |           | 678      | Bracket (Thermistor)        | ----         | 313557406106 |           |
| 29       | Separate Wall Assy           | 9355277013   | 9355277013   |           | 734      | Cabinet Top Plate           | 9352161018   | 9352161018   |           |
| 30       | Blower Cover, Painted        | 9352151019   | 9352151019   |           | 735      | Distributor Assy            | 9361561007   | 9361561007   |           |
| 32       | Control Box Metal            | 9352134012   | 9352134012   |           | 788      | Thermostat-Overheat         | 9354061002   | ----         |           |
| 34       | Capacitor (Fan Motor)        | 9704305015   | 9704305015   |           | 790-1    | Belt Heater-A               | 9361140042   | 9361140042   |           |
| 36       | Cord Holder Metal            | 9356934007   | 9356934007   |           | 791      | Magnetic Relay              | 9900078010   | 9900078010   |           |
| 39       | Propeller Fan Assy           | 9366378013   | 9366378013   |           | 803      | Cabinet-D, Painted          | 9352150012   | 9352150012   |           |
| 41       | Fan Motor Assy               | 9600832028   | 9600832028   |           | 805      | Blower Cover Corner         | 9352160011   | 9352160011   |           |
| 45       | Bracket (Motor) Assy         | 9371639017   | 9371639017   |           | 807      | Inlet Pipe (Accumulator) A  | ----         | 9363458008   |           |
| 46-3     | Compressor Assy              | 9370067002   | 9370067002   |           | 808      | Inlet Pipe (Accumulator)    | 9352285004   | ----         |           |
| 48       | Bracket (Coupler) Assy       | 9355281010   | 9355281010   |           | 809      | Ball Valve-A                | 9357976006   | 9357976006   |           |
| 55       | Special Nut M8               | 9355091008   | 9355091008   |           | 810      | Ball Valve-B                | 9357982007   | 9357982007   |           |
| 107      | Rubber Seat-A (For Comp.)    | 9364084008   | 9364084008   |           | 813      | Cabinet Hook                | 9352148002   | 9352148002   |           |
| 108      | Sleeve-A (For Comp.)         | 9364085005   | 9364085005   |           | 815-2    | Terminal 8P                 | 9363276022   | 9363276022   |           |
| 109      | Terminal Cover (For Comp.)   | 9364087009   | 9364087009   |           | 816      | Wire Clamp Metal            | 313584219902 | 313584219902 |           |
| 111      | Terminal Packing (For Comp.) | 9364086002   | 9364086002   |           | 817      | Thermostat Fixture          | 9352164019   | ----         |           |
| 168      | Cabinet-E, Painted           | 9361312029   | 9361312029   |           | 819      | Joint Pipe (Valve-A)        | 9370739022   | ----         |           |
| 169      | Cabinet-F, Painted           | 9361311022   | 9361311022   |           | 821      | Joint Pipe (Valve-B)        | 9352284007   | 9353307002   |           |
| 182      | Clamp No.249                 | ----         | 313361271505 |           | 822      | Fan Cover Fixture-A         | 9352158018   | 9352158018   |           |
| 184-1    | Thermo. Spring-A             | ----         | 313728262708 |           | 823      | Fuse Holder                 | 0500487011   | ----         |           |
| 185      | Rubber Bushing               | 313005066051 | 313005066051 |           | 824-5    | Fuse                        | 0600315023   | ----         |           |
| 236      | Controller PCB Assy          | ----         | 9704764096   |           | 825-1    | Expansion Valve             | ----         | 9361929005   |           |
| 259      |                              | 9368082000   | ----         |           | 826      | Condensing Pipe-B           | 9361557000   | 9353215000   |           |
| 272      | Strainer Assy                | ----         | 9354139008   |           | 857      | Inlet Pipe (Accumulator) B  | ----         | 9363459005   |           |
| 330      | Inlet Pipe (Cond. )-A        | ----         | 9361573000   |           | 862      | Valve-B Coupl. Pipe         | ----         | 9353309006   |           |
| 333      | Accumulator                  | ----         | 9350363018   |           | 863      | Joint Pipe (Capillary)-B    | 9353206008   | ----         |           |
| 333-2    | Accumulator(B)               | 9362425001   | 9362425001   |           | 880-1    | Network                     | 9700987017   | 9700987017   |           |
| 334      | Suction Pipe-B               | 9352287008   | 9352287008   |           | 918      | Thermistor Assembly         | ----         | 9900129019   |           |
| 343      | Solenoid Coil                | ----         | 9359616108   |           | 919      | Expansion Valve Coil        | ----         | 9363467017   |           |
| 344-2    | 4-Way Valve                  | ----         | 9353532008   |           |          |                             |              |              |           |

## INDOOR UNIT ACCESSORIES

| Name and Shape                                                                                                        | Q'ty | Application                                        | RD-60CA      | RD-60HA      |
|-----------------------------------------------------------------------------------------------------------------------|------|----------------------------------------------------|--------------|--------------|
| Installation template<br>            | 1    | For positioning the indoor unit                    | 9361644007   | 9361644007   |
| Special nut A (large flange)<br>     | 4    | For suspending the indoor unit from ceiling        | 313005446653 | 313005446653 |
| Special nut B (small flange)<br>     | 4    |                                                    | 313005446759 | 313005446759 |
| Coupler heat insulation (large)<br>  | 2    | For indoor side pipe joint (large pipe)            | 9350716029   | 9350716029   |
| Coupler heat insulation (small)<br>  | 1    | For indoor side pipe joint (small pipe)            | 9352766015   | 9352766015   |
| Nylon fastener<br>                  | 1    | For fixing the drain hose                          | 312300787605 | 312300787605 |
| Remote control unit<br>            | 1    |                                                    | 9703173066   | 9371438030   |
| Remote control unit cord clamp<br> | 10   | For installing the remote control unit cord        | 313714181904 | 313714181904 |
| Tapping screw (flush heads)<br>    | 10   | For installing the remote control unit cord clamp  | 301141153027 | 301141153027 |
| Auxiliary pipe assembly<br>        | 1    | For wiring conduit(gas side) connection            | 9357038001   | 9357038001   |
| Drain hose insulation<br>          | 1    | Insulates the drain pipe and vinyl hose connection | 9361646001   | 9361646001   |
| Drain pipe insulation<br>          | 1    | For insulating the drain pipe                      | 9361796003   | 9361796003   |

## OUTDOOR UNIT ACCESSORIES

| Name and Shape                                                                                                 | Q'ty | Application                                                                                                       | ROD-60CA     | ROD-60HA     |
|----------------------------------------------------------------------------------------------------------------|------|-------------------------------------------------------------------------------------------------------------------|--------------|--------------|
| Power cap<br>                 | 1    | For power supply cord installation                                                                                | 9352173011   | 9352173011   |
| Auxiliary pipe assembly<br>   | 1    | For wiring conduit (gas side) connection (May not be supplied, depending on the model)                            | 9355292016   | 9355292016   |
| Edge cover<br>                | 1    | For wiring conduit installation hole edge protection                                                              | 9352436000   | 9352436000   |
| Tapping screw<br>             | 2    | <ul style="list-style-type: none"> <li>• For cabinet A and cabinet D mounting (1)</li> <li>• Spare (1)</li> </ul> | 301463040100 | 301463040100 |
| Binder<br>                    | 1    | For power supply cord binding                                                                                     | 313035356905 | 313035356905 |
| Putty<br>                    | 1    | For sealing                                                                                                       | 303020200114 | 303020200114 |
| Coupler heat insulation<br> | 1    | For outdoor side pipe joint                                                                                       | 313005074759 | 313005074759 |
| Pipe (drain)<br>            | 2    | For outdoor unit drain piping work (May not be supplied, depending on the model.)                                 | ----         | 313728031005 |
| Flexible tube<br>           | 2    |                                                                                                                   | ----         | 313013042915 |
| Cap (drain)<br>             | 2    |                                                                                                                   | ----         | 313166024302 |





MANUFACTURER :

**Fuji Denki Sosetsu Co., Ltd.**

Tokyo, Japan

0305G2309



**Большая библиотека технической документации**

<https://splitsystema48.ru/instrukcii-po-ekspluatácii-kondicionerov.html>

**каталоги, инструкции, сервисные мануалы, схемы.**